

# Meter Mains - Without Bypass

## 125 & 200 Amp



GTFP-125-T2 (closed)



GTFM-200-T4 (closed)

### Application

- Multi meter position
- Receive ANSI C12.10 watt-hour meters
- Surface or flush mount (see chart)

### Construction

- Ring type
- NEMA Type 3R
- ANSI 61 gray E-coat finish
- Aluminum snap ring included

### Standards

- ECM IEC/IECEE Listed
- ANSI C12.7
- EUSERC 301

### Accessories

- AW Hub

Meter Mains  
Without Bypass

Part/UPC Number	Catalog Number	Amp Rating	Jaws	Service Type	Access	Main Breaker		Provisions	
						Voltage	AIC		
78205143000	GTFP-125	125	4	1Ø/3W	OH	120/240	10K	(1) 100A, 2P	--
78205143020	GTFP-125	125	7	3Ø/4W	OH	120/240 & 120/208	10K	(1) 100A, 3P	--
78205143025	GTFP-125	125	4	1Ø/3W	OH	120/240	10K	(1) 100A, 2P	(1) 2P
78205158000	GTFM-200	200	4	1Ø/3W	OH	120/240	10K	(2) 100A, 2P	--
78205157020	GTFM-200	200	4	1Ø/3W	OH	120/240	10K	(1) 200A, 2P & (2) 100A, 2P	--
78205157010	GTFM-200	200	4	1Ø/3W	OH	120/240	10K	(1) 200A, 2P & (1) 50A, 2P	--
78205157000	GTFM-200	200	4	1Ø/3W	OH	120/240	10K	(1) 200A, 2P	--
78205157065	GTFM-200	200	7	3Ø/4W	OH	120/240 & 120/208	10K	(1) 200A, 3P	--
78205157005	GTFM-200	200	4	1Ø/3W	OH	120/240	10K	(1) 200A, 2P	(1) 2P

Part/UPC Number	Catalog Number	Connections			Overall Dimensions			Top Provision	Knockout Layout
		Line	Load	Neutral	Height	Width	Depth		
78205143000	GTFP-125	#14 - 2/0	MCB	#14 - 2/0	24"	8"	4 <sup>5</sup> / <sub>8</sub> "	AW Hub	Fig. 1
78205143020	GTFP-125	#14 - 1/0	MCB	#14 - 2/0	24"	8"	4 <sup>5</sup> / <sub>8</sub> "	AW Hub	Fig. 2
78205143025	GTFP-125	#14 - 2/0	MCB	#14 - 2/0	24"	8"	4 <sup>5</sup> / <sub>8</sub> "	AW Hub	Fig. 1
78205158000	GTFM-200	#6 - 250 MCM	MCB	#6 - 250 MCM	32"	8"	4 <sup>5</sup> / <sub>8</sub> "	AW Hub	Fig. 3
78205157020	GTFM-200	#6 - 250 MCM	MCB	#6 - 250 MCM	36"	8"	4 <sup>5</sup> / <sub>8</sub> "	AW Hub	Fig. 3
78205157010	GTFM-200	#6 - 250 MCM	MCB	#6 - 250 MCM	32"	8"	4 <sup>5</sup> / <sub>8</sub> "	AW Hub	Fig. 1
78205157000	GTFM-200	#6 - 250 MCM	MCB	#6 - 250 MCM	32"	8"	4 <sup>5</sup> / <sub>8</sub> "	AW Hub	Fig. 2
78205157065	GTFM-200	#6 - 250 MCM	MCB	#6 - 250 MCM	36"	10"	5"	AW Hub	Fig. 4
78205157005	GTFM-200	#6 - 250 MCM	MCB	#6 - 250 MCM	32"	8"	4 <sup>5</sup> / <sub>8</sub> "	AW Hub	Fig. 2
78205143060	GTFP-125*	#14 - 2/0	MCB	#14 - 2/0	24"	14"	4 <sup>5</sup> / <sub>8</sub> "	None	Fig. 5
78205143080	GTFP-125*	#14 - 1/0	MCB	#14 - 2/0	24"	14"	4 <sup>5</sup> / <sub>8</sub> "	None	Fig. 6
78205143090	GTFP-125*	#14 - 2/0	MCB	#14 - 2/0	24"	14"	4 <sup>5</sup> / <sub>8</sub> "	None	Fig. 5
78205158060	GTFM-200*	#6 - 250 MCM	MCB	#6 - 250 MCM	25"	14"	6"	None	Fig. 7
78205157040	GTFM-200 *	#6 - 250 MCM	MCB	#6 - 250 MCM	27"	14"	6"	None	Fig. 7
78205157037	GTFM-200 *	#6 - 250 MCM	MCB	#6 - 250 MCM	25"	14"	6"	None	Fig. 8

\* Only UG versions are EUSERC 301 compliant.

MCB - Main Circuit Breaker

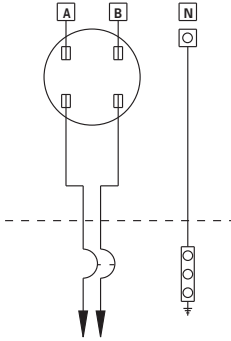
<b>Breaker Data</b>					
<b>Catalog Number</b>	<b>B-Line Breaker #</b>	<b>ITE Breaker #</b>	<b>Ampacity</b>	<b># of Poles</b>	<b>AIC</b>
GTFP-125	25458P	Q2100	100A	2P	10K
GTFP-125	25458P	Q2100	100A	2P	10K
GTFP-125	25460P	Q3100	100A	3P	10K
GTFM-200	25508K	QJ22B200	200A	2P	10K
GTFM-200	25508K	QJ22B200	200A	2P	10K
GTFM-200	5458P	Q2100	100A	2P	10K
GTFM-200	25510K	QJ23B200	200A	3P	10K
GTFM-200	25508K	QJ22B200	200A	2P	10K
GTFM-200	25508K	QJ22B200	200A	2P	10K

Meter Mains Without Bypass

Data subject to change without notice. Consult local utility for area acceptance. All dimensions are in inches.

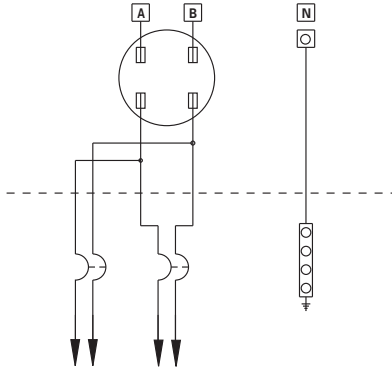
# Meter Mains - Wiring Drawings

Meter Mains  
Without Bypass



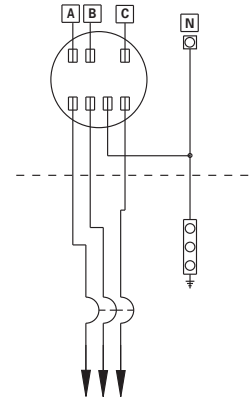
**Catalog #**

GTFP-125 43LB  
GTFP-125F  
GTFP-125R  
GTFM-200 /150  
GTFM-200RF  
GTFM-200R



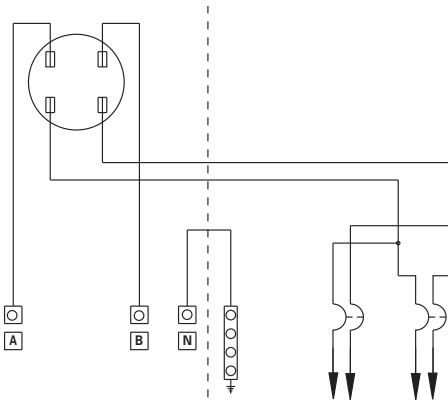
**Catalog #**

GTFP-125 43LB  
GTFP-125F  
GTFP-125R  
GTFM-200 /150  
GTFM-200RF  
GTFM-200R



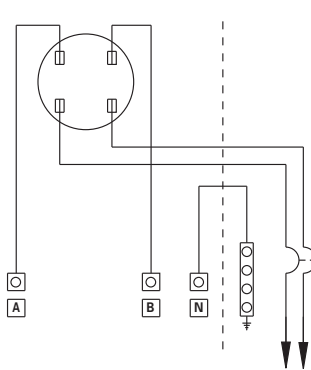
**Catalog #**

GTFP-125 43LB  
GTFP-125F  
GTFP-125R  
GTFM-200 /150  
GTFM-200RF  
GTFM-200R



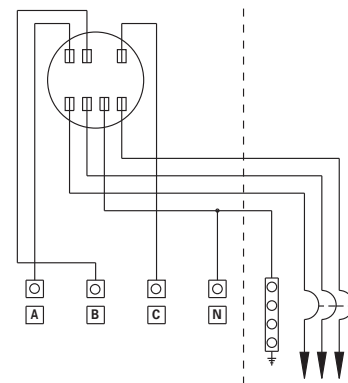
**Catalog #**

GTFP-125 43LB  
GTFP-125F  
GTFP-125R  
GTFM-200 /150  
GTFM-200RF  
GTFM-200R



**Catalog #**

GTFP-125 43LB  
GTFP-125F  
GTFP-125R  
GTFM-200 /150  
GTFM-200RF  
GTFM-200R



**Catalog #**

GTFP-125 43LB  
GTFP-125F  
GTFP-125R  
GTFM-200 /150  
GTFM-200RF  
GTFM-200R

# Group Meter Sockets - With MCC Bypass

## 125 Amp

Multiple Metering



GTFP-125-T2 (closed)      GTFP-125-T2 (open)

### Application

- Single meter position
- Receive ANSI C12.10 watt-hour meters
- Surface or flush mount (see chart)

### Construction

- Ring type
- NEMA Type 3R
- ANSI 61 gray E-coat finish
- Aluminum snap ring included

### Standards

- ECM IEC/IECEE Listed
- ANSI C12.7
- EUSERC 301

### Accessories

- AW Hub

Part/UPC Number	Catalog Number	Number of Positions	Buss Amps	Amp Rating	Jaws	Service Type	Access	Bypass
78205107766	GTFP-125	2	225	100	4	1Ø/3W	OH/UG	MCC
78205107767	GTFP-125	3	225	100	4	1Ø/3W	OH/UG	MCC
78205107768	GTFP-125	4	225	100	4	1Ø/3W	OH/UG	MCC

Part/UPC Number	Catalog Number	Connections			Height	Overall Dimensions			Top Provision	Knockout Layout
		Line	Load	Neutral		Width	Depth			
78205107766	GTFP-125	#6 - 250 MCM	#14 - 2/0	#6 - 250 MCM	17"	26 <sup>1</sup> / <sub>2</sub> "	4 <sup>5</sup> / <sub>8</sub> "	AW Hub	Fig. 1	
78205107767	GTFP-125	#6 - 250 MCM	#14 - 2/0	#6 - 250 MCM	17"	34 <sup>3</sup> / <sub>4</sub> "	4 <sup>5</sup> / <sub>8</sub> "	AW Hub	Fig. 2	
78205107768	GTFP-125	#6 - 250 MCM	#14 - 2/0	#6 - 250 MCM	17"	43"	4 <sup>5</sup> / <sub>8</sub> "	AW Hub	Fig. 3	

AIC Note:  
For short circuit current ratings see page 13.

125 Amp

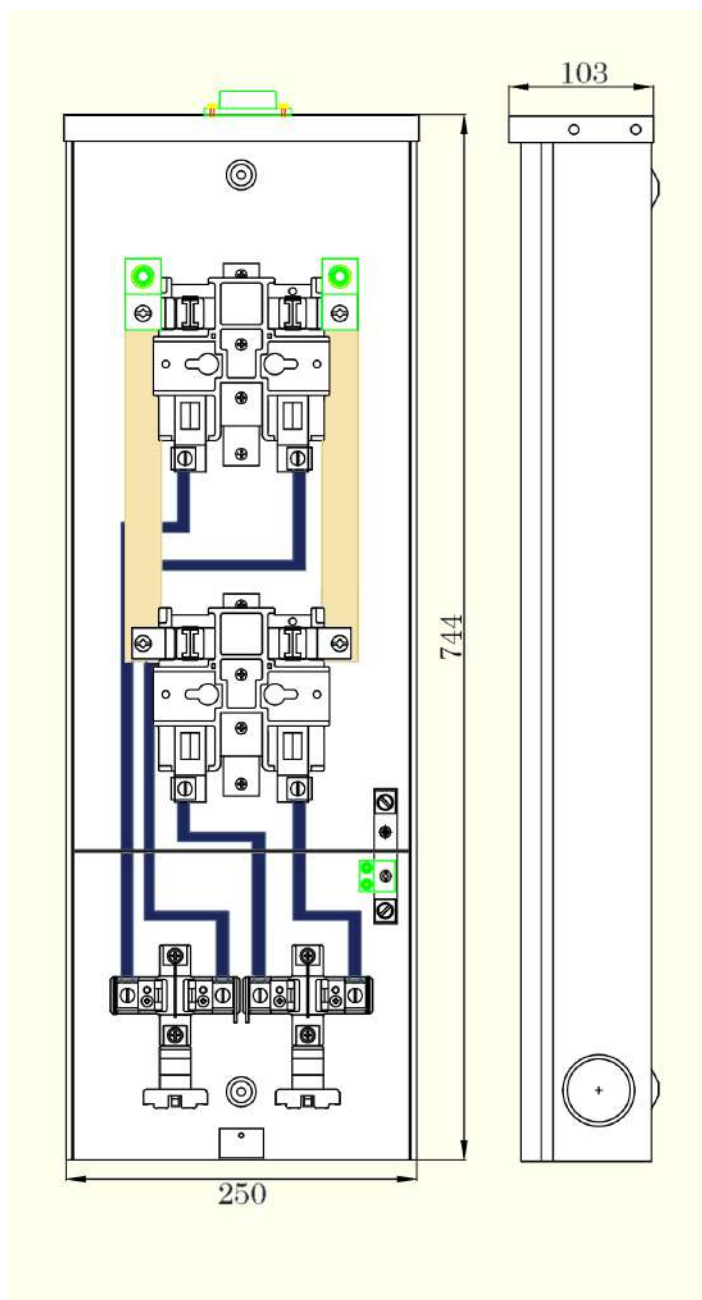
Style #	Suffixes
GTFP-125/1T	SS - Stainless Steel *
GTFM-200/2T	
GTFM-200/3T	
GTFM-200/4T	

Knockouts - Conduit Sizes
2A = 1/2" - 1/4"
4G = 2 1/2" - 2" - 1 1/2" - 1 1/4"
4H = 3" - 2 1/2" - 2" - 1 1/2"
Top Provision = See Chart

\* Knockouts and top provisions are not available in Stainless Steel (SS) finish

Multiple Metering

## Distribution Layouts



Data subject to change without notice. Consult local utility for area acceptance. All dimensions are in inches.

125 Amp

Style #	Suffixes
(U) GTFP-125	F - Flush Mount
GTFP-125	MS20 - Ring Protector
GTFP-125	MS43 - No Breaker Included (U)
GTFP-125 SS - Stainless Steel 304 *	SS6 - Stainless Steel 316 *

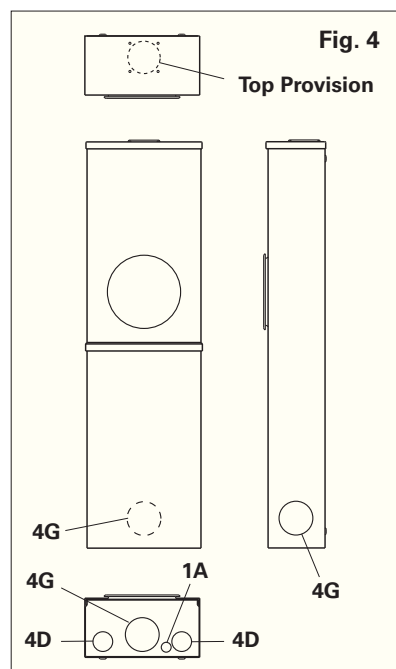
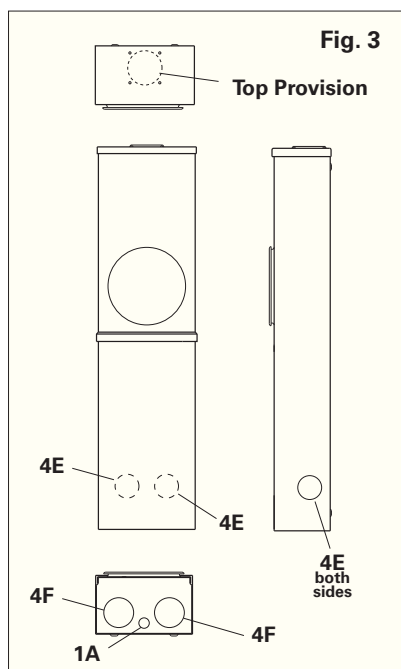
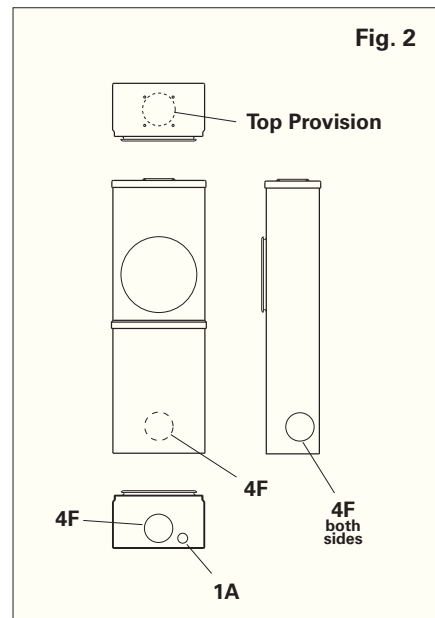
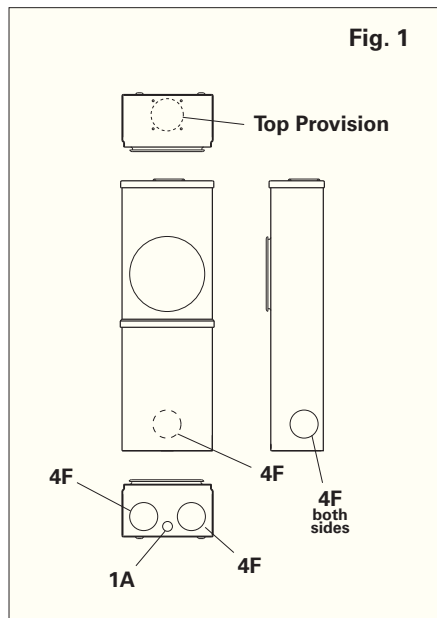
### Knockouts - Conduit Sizes

1A = 1/2"  
 4D = 1 1/4" - 1" - 3/4" - 1/2"  
 4E = 1 1/2" - 1 1/4" - 1" - 3/4"  
 4F = 2" - 1 1/2" - 1 1/4" - 1"  
 4G = 2 1/2" - 2" - 1 1/2" - 1 1/4"  
 4H = 3" - 2 1/2" - 2" - 1 1/2"  
 Top Provision = See Chart

\* Knockouts and top provisions are not available in Stainless Steel (SS) finish

Meter Mains  
Without Bypass

### Knockout Layouts



Data subject to change without notice. Consult local utility for area acceptance. All dimensions are in inches.

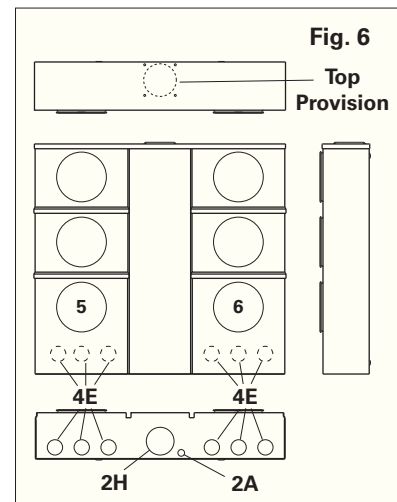
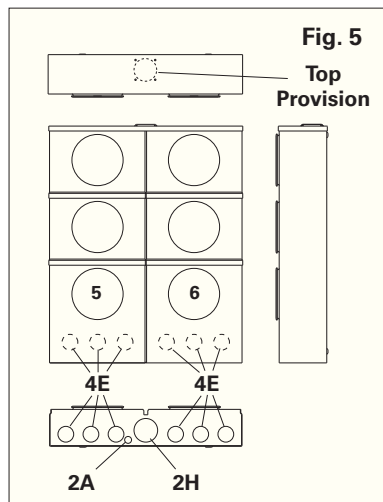
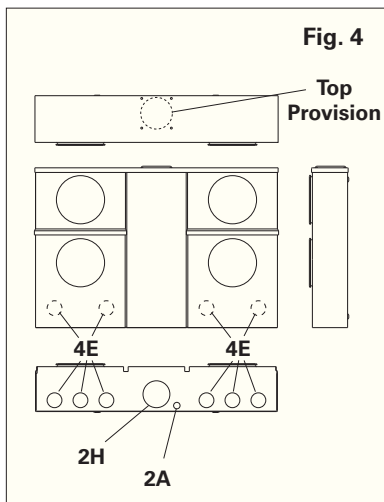
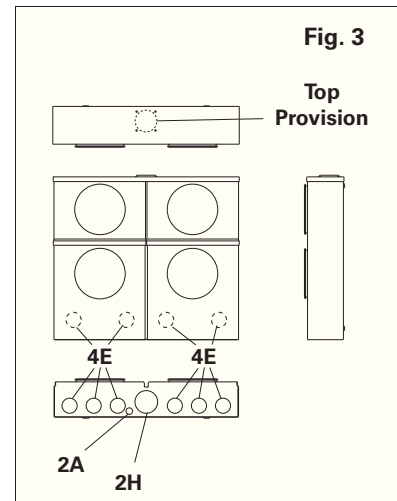
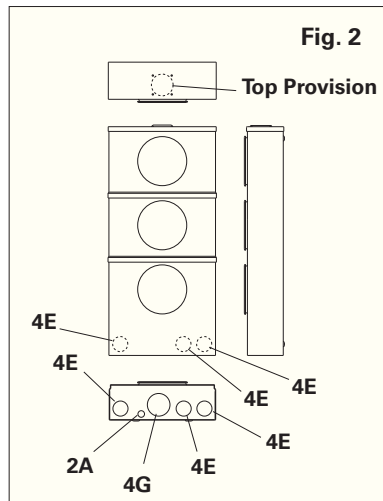
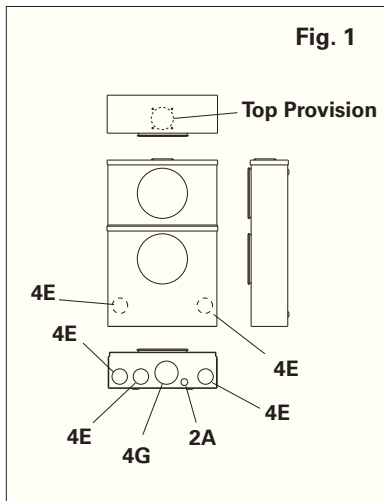
Style #	Suffixes
012	SS - Stainless Steel *
013	
014	
015	
016	

### Knockouts - Conduit Sizes

2A = 1/2" - 1/4"  
 4E = 1 1/2" - 1 1/4" - 1" - 3/4"  
 4F = 2" - 1 1/2" - 1 1/4" - 1"  
 4G = 2 1/2" - 2" - 1 1/2" - 1 1/4"  
 2H = 3" - 2 1/2"  
 Top Provision = See Chart

\* Knockouts and top provisions are not available in Stainless Steel (SS) finish

### Knockout Layouts



# Group Meter Sockets - With MCC Bypass

## 125 Amp Horizontal

Multiple Metering



GYFD-125 (closed)

### Application

- For horizontal multi-meter installations - 4 position maximum
- Manual circuit closing (link type) bypasses under separate sealable covers
- 225A main buss
- Receive ANSI C12.10 watthour meters
- Overhead or underground feed (see chart)
- Surface mount

### Construction

- Ring type
- NEMA Type 3R
- ANSI 61 gray E-coat finish
- Aluminum snap ring included

### Standards

- ECM IEC/IECEE Listed
- ANSI C12.7
- EUSERC 301

### Accessories

- AW Hub

Part/UPC Number	Catalog Number	Number of Positions	Buss Amps	Amp Rating	Jaws	Service Type	Access	Bypass
78205107766	GYFD-125	2	225	100	4	1Ø/3W	OH/UG	MCC
78205107767	GYFD-125	3	225	100	4	1Ø/3W	OH/UG	MCC
78205107768	GYFD-125	4	225	100	4	1Ø/3W	OH/UG	MCC

Part/UPC Number	Catalog Number	Connections			Height	Overall Dimensions			Top Provision	Knockout Layout
		Line	Load	Neutral		Width	Depth			
78205107766	GYFD-125	#6 - 250 MCM	#14 - 2/0	#6 - 250 MCM	17"	26 <sup>1</sup> / <sub>2</sub> "	4	5/8"	AW Hub	Fig. 1
78205107767	GYFD-125	#6 - 250 MCM	#14 - 2/0	#6 - 250 MCM	17"	34 <sup>3</sup> / <sub>4</sub> "	4	5/8"	AW Hub	Fig. 2
78205107768	GYFD-125	#6 - 250 MCM	#14 - 2/0	#6 - 250 MCM	17"	43"	4	5/8"	AW Hub	Fig. 3

AIC Note:  
For short circuit current ratings see page 131.



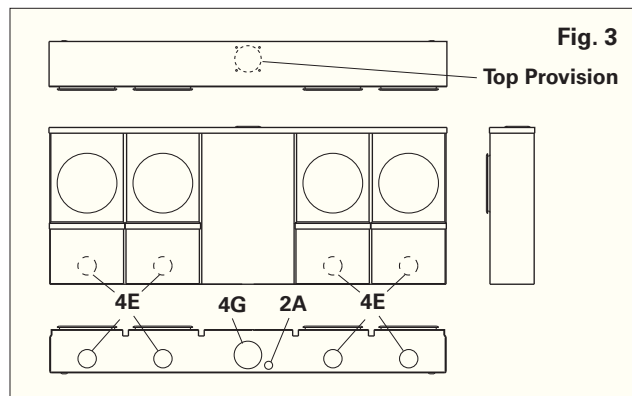
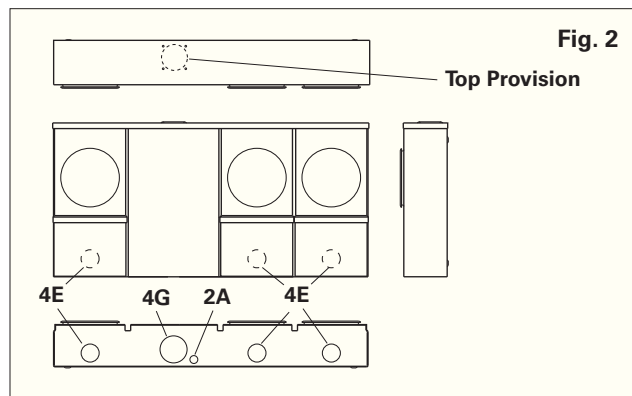
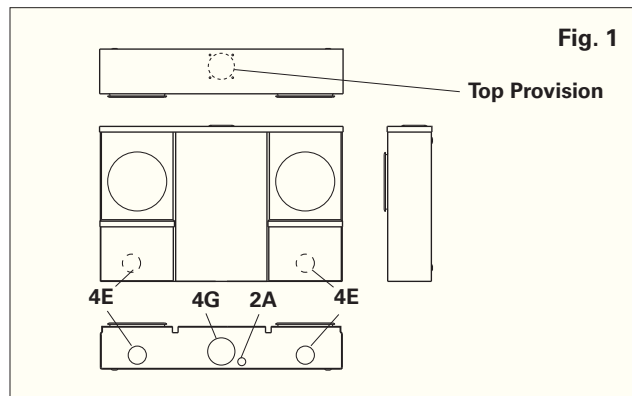
Style #	Suffixes
GYFD-125	SS - Stainless Steel *

### Knockouts - Conduit Sizes

2A = 1/2" - 1/4"  
 4E = 1 1/2" - 1 1/4" - 1" - 3/4"  
 4G = 2 1/2" - 2" - 1 1/2" - 1 1/4"  
 Top Provision = See Chart

\* Knockouts and top provisions are not available in Stainless Steel (SS) finish

### Knockout Layouts



# Group Meter Sockets - With MCC Bypass

## 200 Amp Horizontal

Multiple Metering



GTFM-200-T4 (closed)



GTFM-200-T4 (open)

### Application

- For horizontal multi-meter installations - 6 position maximum
- Manual circuit closing (link type) bypasses under separate sealable covers
- 400A main buss
- Receive ANSI C12.10 watthour meters
- Overhead or underground feed (see chart)
- Surface mount

### Construction

- Ring type
- NEMA Type 3R
- ANSI 61 gray E-coat finish
- Aluminum snap ring included

### Standards

- ECM IEC/IECEE Listed
- ANSI C12.7
- EUSERC 301

### Accessories

- 4TH JAW KIT - 50365
- H HUBS

Part/UPC Number	Catalog Number	Number of Positions	Buss Amps	Amp Rating	Jaws	Service Type	Access	Bypass
78205107296	GTFM-200	2	400	200	4	1Ø/3W	OH/UG	MCC
78205107297	GTFM-200	3	400	200	4	1Ø/3W	OH/UG	MCC
78205107298	GTFM-200	4	400	200	4	1Ø/3W	OH/UG	MCC
78205107299	GTFM-200	5	400	200	4	1Ø/3W	OH/UG	MCC
78205107300	GTFM-200	6	400	200	4	1Ø/3W	OH/UG	MCC

Part/UPC Number	Catalog Number	Connections			Height	Overall Dimensions			Top Provision	Knockout Layout
		Line	Load	Neutral		Width	Depth			
78205107296	GTFM-200	#4 - 600 MCM	#6 - 250 MCM	#4 - 600 MCM	23"	30"	4 <sup>5</sup> / <sub>8</sub> "	H Hub	Fig. 1	
78205107297	GTFM-200	#4 - 600 MCM	#6 - 250 MCM	#4 - 600 MCM	23"	40"	4 <sup>5</sup> / <sub>8</sub> "	H Hub	Fig. 2	
78205107298	GTFM-200	#4 - 600 MCM	#6 - 250 MCM	#4 - 600 MCM	23"	50"	4 <sup>5</sup> / <sub>8</sub> "	H Hub	Fig. 3	
78205107299	GTFM-200	#4 - 600 MCM	#6 - 250 MCM	#4 - 600 MCM	23"	60"	4 <sup>5</sup> / <sub>8</sub> "	H Hub	Fig. 4	
78205107300	GTFM-200	#4 - 600 MCM	#6 - 250 MCM	#4 - 600 MCM	23"	70"	4 <sup>5</sup> / <sub>8</sub> "	H H	Fig. 5	

AIC Note:  
For short circuit current ratings see page 131.

Data subject to change without notice. Consult local utility for area acceptance. All dimensions are in inches.

Style #	Suffixes
GTFM-200/2T	SS - Stainless Steel
GTFM-200/3T	
GTFM-200/4T	
GTFM-200/5T	
GTFM-200/6T	

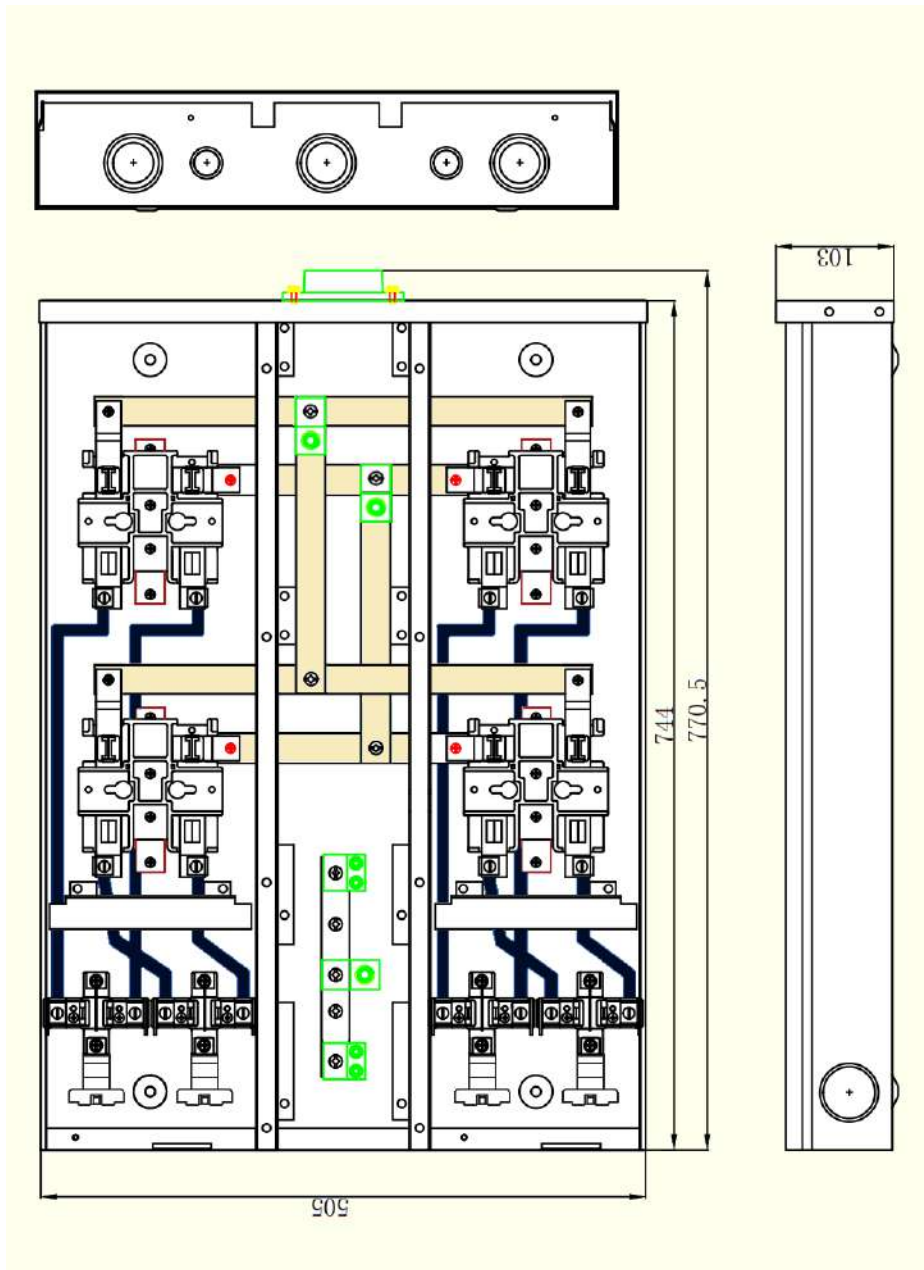
### Knockouts - Conduit Sizes

2A = 1/2" - 1/4"  
 4G = 2 1/2" - 2" - 1 1/2" - 1 1/4"  
 4H = 3" - 2 1/2" - 2" - 1 1/2"  
 Top Provision = See Chart

\* Knockouts and top provisions are not available in Stainless Steel (SS) finish

Multiple Metering

### Distribution Layouts



Data subject to change without notice. Consult local utility for area acceptance. All dimensions are in inches.

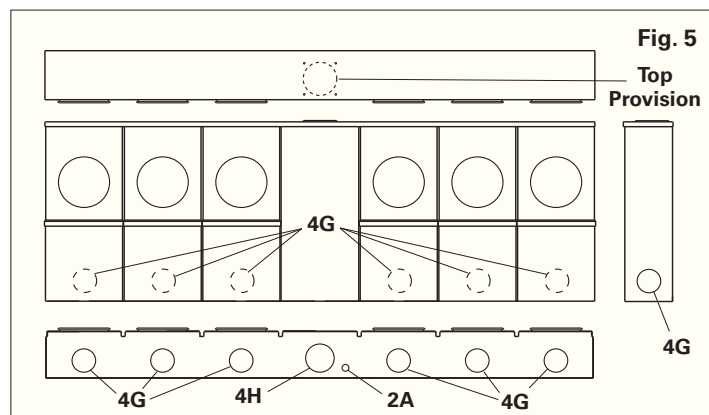
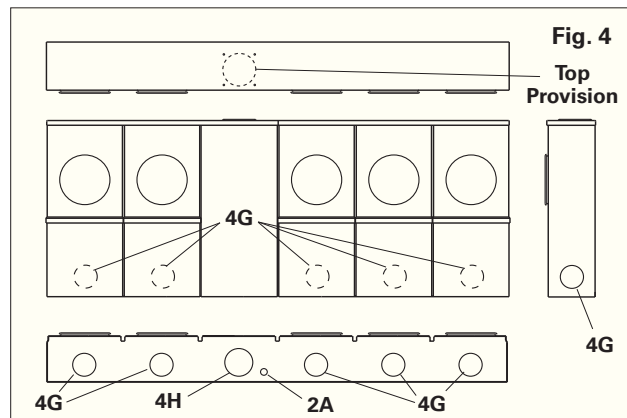
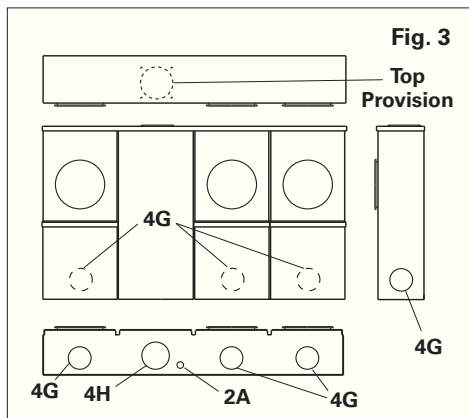
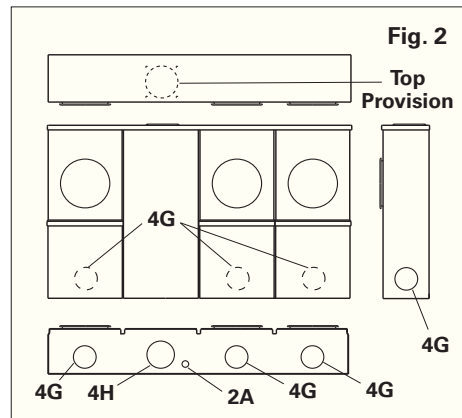
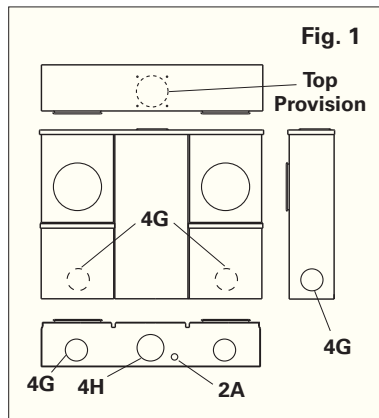
Style #	Suffixes
GTFM-200	SS - Stainless Steel *
GTFM-200	
GTFM-200	
GTFM-200	
GTFM-200	

### Knockouts - Conduit Sizes

2A = 1/2" - 1/4"  
 4G = 2 1/2" - 2" - 1 1/2" - 1 1/4"  
 4H = 3" - 2 1/2" - 2" - 1 1/2"  
 Top Provision = See Chart

\* Knockouts and top provisions are not available in Stainless Steel (SS) finish

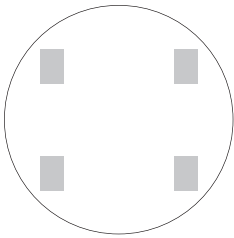
### Knockout Layouts



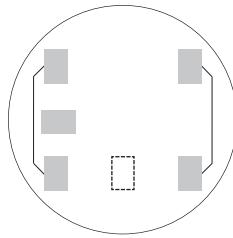
Data subject to change without notice. Consult local utility for area acceptance. All dimensions are in inches.

# Metering Data

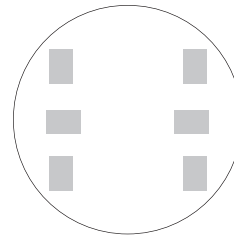
## Location of Socket Jaws



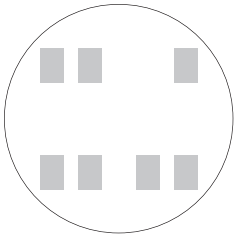
**4-Terminal**  
**Form 1S & 2S**



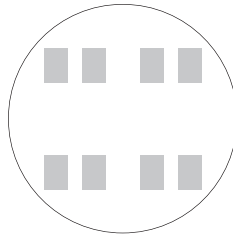
**5-Terminal**  
**Form 3S**



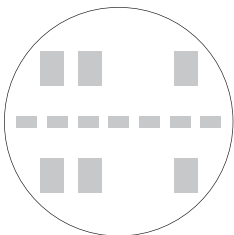
**6-Terminal**  
**Form 4S**



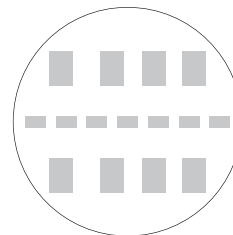
**7-Terminal**  
**Form 14S, 15S,**  
**16S, 17S, 24S**



**8-Terminal**  
**Form 5S, 35S, 45S**



**13-Terminal**  
**Form 6S, 8S, 9S,**  
**10S, 29S, 36S, 46S**

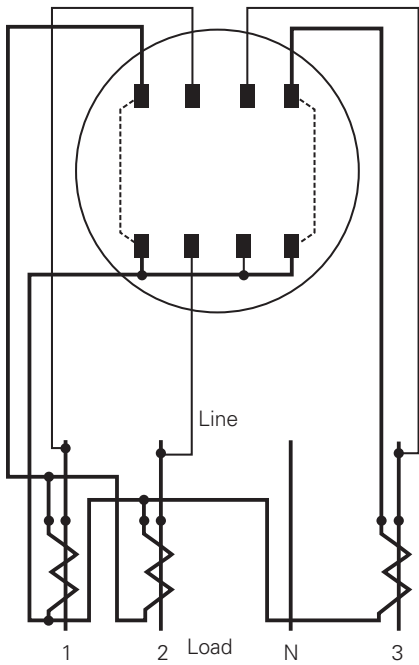


**15-Terminal**  
**Form 11S, 39S, 76S**

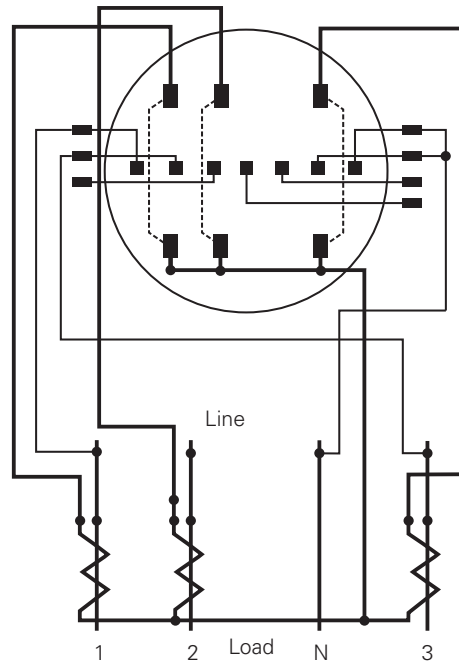
## Wiring Diagrams

### Current Transformer Installations

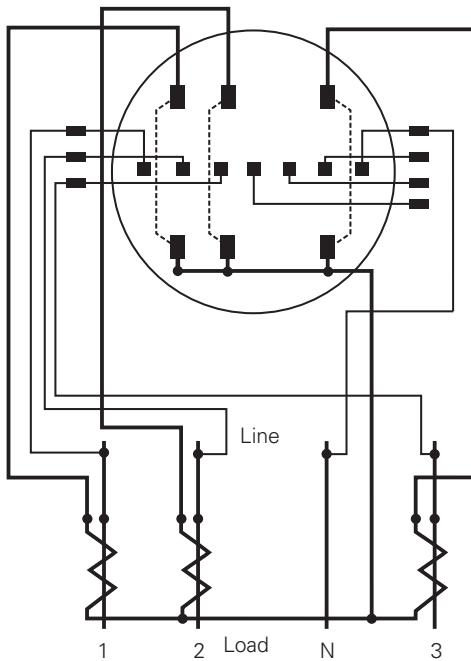
3 $\emptyset$  - 4Wire "Y" Using CT's  
2 or 3 Element Meter



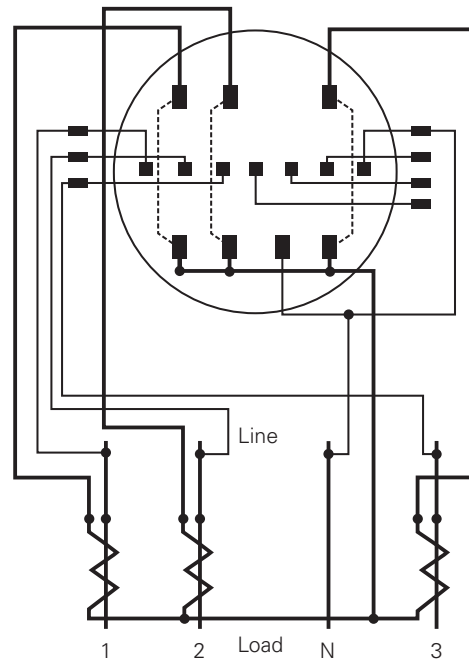
3 $\emptyset$  - 4Wire "Y" or  $\Delta$  Using CT's  
2 or 3 Element Meter



3 $\emptyset$  - 4Wire  $\Delta$  Using CT's  
2 Element Meter



3 $\emptyset$  - 4Wire  $\Delta$  Using CT's  
3 Element Meter



## Energization of Electrical Equipment

### Bonding Jumper

Ampere Rating Not Exceeding	Size of Main Bonding Jumper (Minimum) <sup>a,b,c</sup>		Cross Section of Main Bonding Jumper in Square Inches (Minimum) <sup>a,b,c</sup>		Grounded Service Conductor (Minimum)	
	Copper	Aluminum	Copper	Aluminum	Copper	Aluminum
	90	8	6	0.013 <sup>d</sup>	0.021 <sup>d</sup>	8
100	6	4	0.021 <sup>d</sup>	0.033 <sup>d</sup>	6	4
125	6	4	0.021 <sup>d</sup>	0.033 <sup>d</sup>	6	4
150	6	4	0.021 <sup>e</sup>	0.033 <sup>e</sup>	6	4
200	4	2	0.033 <sup>e</sup>	0.052 <sup>e</sup>	4	4
300	2	1/0	0.052 <sup>f,g</sup>	0.083 <sup>f,g</sup>	4	1/0
400	1/0 <sup>h</sup>	3/0 <sup>h</sup>	0.083 <sup>g,h</sup>	0.132 <sup>g,h</sup>	1/0	3/0 <sup>h</sup>
500	0	3/0	0.083	0.132	1/0	3/0
600	2/0	4/0	0.105	0.166	2/0	4/0
800	2/0	4/0	0.105	0.166	2/0	4/0
1000	3/0	250 kcmil	0.132	0.196	3/0	250 kcmil
1200	250 kcmil	300 kcmil	0.196	0.196	250 kcmil	250 kcmil
1600	300 kcmil	400 kcmil	0.236	0.314	300 kcmil	400 kcmil
2000	400 kcmil	500 kcmil	0.314	0.393	400 kcmil	500 kcmil

<sup>a</sup> The cross section may be reduced to 12.5 percent of the total cross section of the largest main service conductor(s) of the same material (copper or aluminum) for any phase on equipment rated 1200 amperes and above.

<sup>b</sup> For equipment rated 1200 amperes or more and that has wiring terminals intended to connect service conductor wires sized larger than 600 kcmil copper or 750 kcmil aluminum, the cross section of the main bonding jumper shall be at least 12.5 percent of the the total cross section of the largest main service entrance conductor(s) of the same material (copper or aluminum) for any phase.

<sup>c</sup> SI Equivalents:

<sup>d</sup> A No. 8 (4.2 mm diameter) or larger brass or No. 10 (4.8mm diameter) or larger steel screw may be used.

<sup>e</sup> A No. 10 or larger brass or steel screw may be used.

<sup>f</sup> A No. 10 or larger brass screw may be used.

<sup>g</sup> A 1/4 inch (6.4mm) diameter or larger brass or steel screw may be used.

<sup>h</sup> When the ampere rating is 400 and the wire terminal connectors for the main service conductors are rated for two No. 3/0 AWG copper or two No. 250 kcmil aluminum conductor, but will not accept a 600 kcmil conductor, these values may be reduced to No. 2 AWG (0.052 square inch) copper or No. 0 AWG (0.083 square inch) aluminum.

Wire Size, AWG	Min. Cross Section (MM <sup>2</sup> )	Wire Size	Min. Cross Section (MM <sup>2</sup> )
8	8.4	4/0	107
6	13.3	250 kcmil	126
4	21.2	200 kcmil	152
2	33.6	400 kcmil	203
1/0	53.5	500 kcmil	253
2/0	67.4	600 kcmil	304
3/0	85.0	750 kcmil	380

Data subject to change without notice. Consult local utility for area acceptance. All dimensions are in inches.

## Short Circuit Current Ratings

The meter sockets shown in this section have certain short circuit current ratings when used in conformance with the tables below:

When used in conjunction with fuse or breaker	This meter socket is rated for use on a circuit capable of delivering not more than	At Volts Max.
<b>Class 100 Meter Sockets</b>		
100Amp class J, T, RK1 or RK5 fuse	100,000 RMS Symmetrical Amperes	600
100Amp Siemens type "HQP" circuit breaker	65,000* RMS Symmetrical Amperes	240
100Amp Westinghouse type "QHPX" circuit breaker	42,000* RMS Symmetrical Amperes	240
100Amp listed circuit breaker	25,000* RMS Symmetrical Amperes	240
<b>Class 200 Meter Sockets</b>		
200Amp class J or T fuse	200,000 RMS Symmetrical Amperes	600
200Amp class RK-1 fuse	42,000 RMS Symmetrical Amperes	480
200Amp Siemens type "HFD6" circuit breaker	42,000* RMS Symmetrical Amperes	240
200Amp Siemens type "QJ2-H" circuit breaker	42,000* RMS Symmetrical Amperes	240
200Amp Siemens type "QJH2" circuit breaker	22,000* RMS Symmetrical Amperes	240
200Amp West. type "CAH" circuit breaker	22,000* RMS Symmetrical Amperes	240
125Amp listed circuit breaker (1Ø only)	22,000* RMS Symmetrical Amperes	240
200Amp listed circuit breaker	18,000* RMS Symmetrical Amperes	240
<b>Class 320 Meter Sockets</b>		
400Amp class J or T fuse	100,000* RMS Symmetrical Amperes	600
400Amp listed circuit breaker	18,000* RMS Symmetrical Amperes	240
125Amp listed circuit breaker	22,000* RMS Symmetrical Amperes	240
200Amp listed circuit breaker	18,000* RMS Symmetrical Amperes	240

\*Not in excess of the circuit breaker interrupting rating

Note: This table does not apply to meter-breaker units or to CT rated sockets